

■ Features

- DIP24 package with industry standard pinout
- 8:1(9~75Vdc) ultra-wide input range
- Operating temperature range -40 ~ +95°C
- No minimum load required
- Comply to BS EN/EN55032 radiated Class B without additional components
- High efficiency up to 84%
- Protections: Short circuit (Continuous) / Overload / Over voltage / UVLO
- Remote ON/OFF control (Optional)
- 3KVdc I/O isolation
- 3 years warranty

■ Applications

- Telecom/datacom system
- Wireless network
- Industrial control facility
- Instrument
- Analyzer
- Detector
- Data switch

■ GTIN CODE

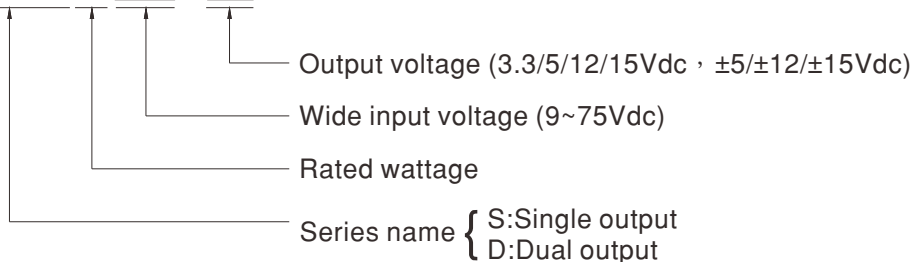
MW Search: <https://www.meanwell.com/serviceGTIN.aspx>

■ Description

SCWN03W8 and DCWN03W8 series are 3W isolated and regulated module type DC-DC converter with DIP24 package. It features international standard pins, a high efficiency up to 84%, wide working temperature range -40~+95°C, 3KVdc I/P-O/P isolation voltage, Compliance to BS EN/EN55032 radiated Class B without additional components, continuous-mode short circuit protection, 8:1(9~75V) ultra-wide input range, and various output voltage, 3.3V/5V/12V/15V for single output and ±5V/±12V/±15V for dual outputs, which are suitable for all kinds of systems, Such as industrial control, telecommunication field, distributed power architecture, and so on.

■ Model Encoding

S **CWN03** **W8** - **12**



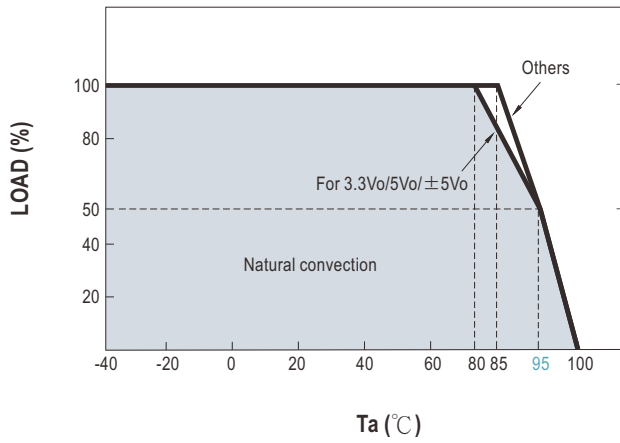


MODEL SELECTION TABLE							
ORDER NO.	INPUT			OUTPUT		EFFICIENCY (TYP.)	CAPACITOR LOAD (MAX.)
	INPUT VOLTAGE (RANGE)	INPUT CURRENT		OUTPUT VOLTAGE	OUTPUT CURRENT		
		NO LOAD	FULL LOAD				
SCWN03W8-03	Nominal 12V, 24V, 36V, 48V, 72V (9 ~ 75V)	5mA	56mA	3.3V	600mA	74%	600 μ F
SCWN03W8-05		5mA	79mA	5V	600mA	80%	600 μ F
SCWN03W8-12		7mA	75mA	12V	250mA	84%	250 μ F
SCWN03W8-15		8mA	76mA	15V	200mA	83%	200 μ F
DCWN03W8-05		7mA	80mA	\pm 5V	\pm 300mA	79%	*300 μ F
DCWN03W8-12		9mA	75mA	\pm 12V	\pm 125mA	84%	*250 μ F
DCWN03W8-15		10mA	78mA	\pm 15V	\pm 100mA	81%	*200 μ F

* For each output

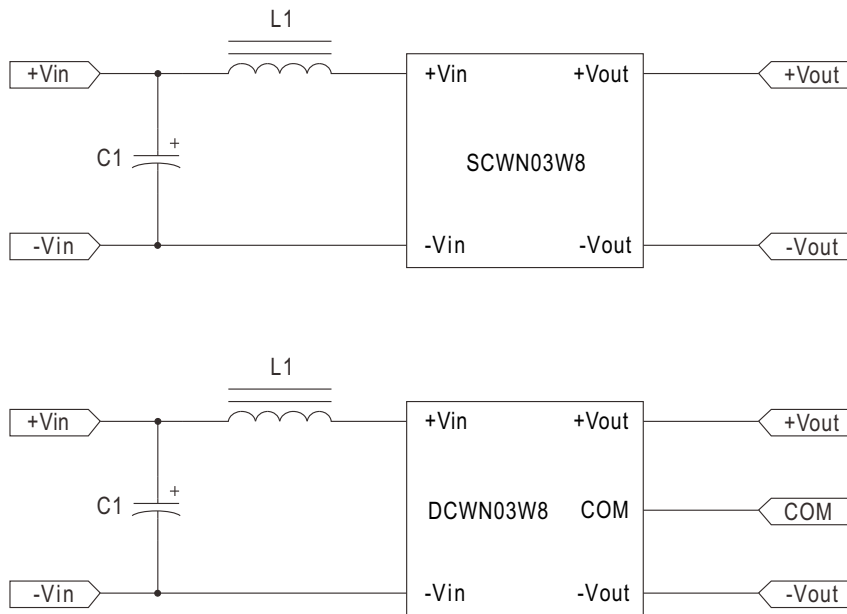
SPECIFICATION			
INPUT			
VOLTAGE RANGE	9~75Vdc		
SURGE VOLTAGE (100ms max.)	100Vdc		
FILTER	Pi type		
PROTECTION (Typ.)	1A Fast-Acting Type		
OUTPUT			
VOLTAGE ACCURACY	±2% for 3.3Vo, ±1.5% for others		
RATED POWER	3W		
RIPPLE & NOISE <small>Note.2</small>	100mVp-p		
LINE REGULATION <small>Note.3</small>	±0.5%		
LOAD REGULATION <small>Note.4</small>	Single output models: ±0.5% ; Dual output models: ±1.0%		
CROSS DEGRADATION	±5% @ 25%~100% Load only for dual output		
SWITCHING FREQUENCY (Typ.)	200KHz		
PROTECTION			
SHORT CIRCUIT	Protection type : Continuous, automatic recovery		
OVERLOAD	110 ~ 230% rated output power		
	Protection type : Hiccup mode, recovers automatically after fault condition is removed		
OVER VOLTAGE	Protection type : Clamp by zener diode		
UNDER VOLTAGE LOCKOUT (Typ.)	Start-up voltage	8.8Vdc	
	Shutdown voltage	8Vdc	
ENVIRONMENT			
COOLING	Free-air convection		
WORKING TEMP.	-40 ~ +95°C (Refer to "Derating Curve")		
CASE TEMPERATURE	+115°C max.		
WORKING HUMIDITY	20% ~ 90% RH non-condensing		
STORAGE TEMP., HUMIDITY	-40 ~ +125°C, 10 ~ 95% RH non-condensing		
TEMP. COEFFICIENT	±0.05% / °C max. (0 ~ 85°C)		
SOLDERING TEMPERATURE	1.5mm from case of 1 ~ 3sec./260°C max.		
VIBRATION	10 ~ 500Hz, 2G 10min./1cycle, period for 60min. each along X, Y, Z axes		
SAFETY & EMC (Note.5)			
SAFETY STANDARDS	EAC TP TC 020/2011 approved		
WITHSTAND VOLTAGE	I/P-O/P:3KVdc		
ISOLATION RESISTANCE	I/P-O/P:1000M Ohms / 500Vdc / 25°C / 70% RH		
ISOLATION CAPACITANCE (Typ.)	1000pF		
EMC EMISSION	Parameter	Standard	Test Level / Note
	Conducted	BS EN/EN55032	Class A without additional components Class B with additional components
	Radiated	BS EN/EN55032	Class B without additional components
EMC IMMUNITY	Parameter	Standard	Test Level / Note
	ESD	BS EN/EN61000-4-2	Level 2, ±8KV air, ±4KV contact
	Radiated Susceptibility	BS EN/EN61000-4-3	Level 2, 3V/m
	EFT/Bursts	BS EN/EN61000-4-4	Level 2, 0.5KV
	Surge	BS EN/EN61000-4-5	Level 2, 1KV Line-Line
	Conducted	BS EN/EN61000-4-6	Level 2, 3V(e.m.f.)
OTHERS			
MTBF (Typ.)	2500Khrs MIL-HDBK-217F(25°C)		
DIMENSION (L*W*H)	31.8*20.3*10.2mm (1.25*0.8*0.4 inch)		
CASE MATERIAL	Non-Conductive black plastic (UL 94V-0 rated)		
PACKING	12.5g ; 10pcs/per tube, 600pcs/60 tube/per carton		
NOTE			
1.All parameters are specified at normal input (48Vdc), rated load, 25°C 70% RH ambient. 2.Ripple & noise are measured at 20MHz by using a 12" twisted pair terminated with a 0.1µf & 47µf capacitor. 3.Line regulation is measured from low line to high line at rated load. 4.Load regulation is measured from 0% to 100% rated load. 5.The final equipment must be re-confirm that it still meet EMC directives. For guidance on how to perform these EMC tests, please refer to "EMI testing of component power supplies."(as available on http://www.meanwell.com) ※ Product Liability Disclaimer : For detailed information, please refer to https://www.meanwell.com/serviceDisclaimer.aspx			

■ Derating Curve



■ EMC Suggestion Circuit

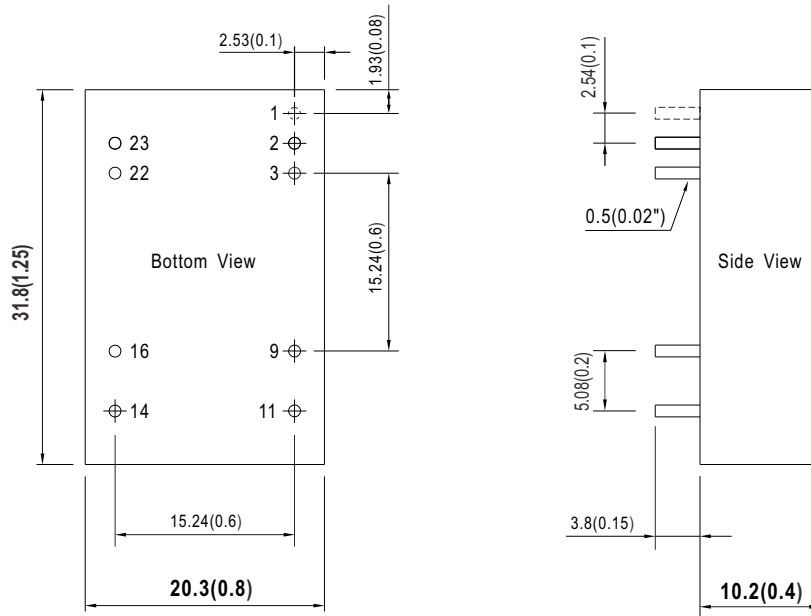
※ Required external components to meet BS EN/EN55032 radiated Class B are as below:



Model No.	BS EN/EN55032 conduction Class B	
	C1	L1
SCWN03W8 DCWN03W8	2.2μF/100V	12μH

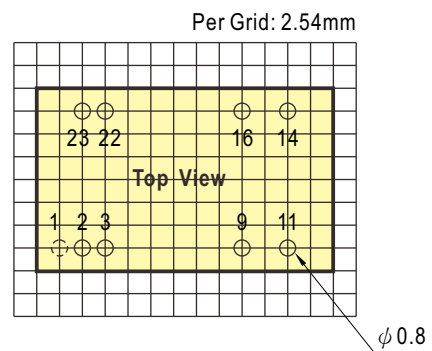
Mechanical Specification

- All dimensions in mm(inch)
- Tolerance: $x.x \pm 0.5\text{mm}$ ($x.xx \pm 0.02''$)
 $x.xx \pm 0.25\text{mm}$ ($x.xxx \pm 0.010''$)
- Pin size is: $0.5 \pm 0.05\text{mm}$ ($0.02'' \pm 0.002''$)



Pin Assignment

Pin-Out		
Pin No.	SCWN03W8 (Single output)	DCWN03W8 (Dual output)
1	N.P. (Remote ON/OFF by request)	N.P. (Remote ON/OFF by request)
2,3	-Vin	-Vin
9	N.C.	Common
11	N.C.	-Vout
14	+Vout	+Vout
16	-Vout	Common
22,23	+Vin	+Vin



* N.P. : No Pin for standard model, the pin available when R.C is selected

Packing

Standard Tube Packing	MPQ Per Tube (PCS)	One Tube G.W.	Max. Q'TY/ Carton(PCS)	One Carton G.W.
<p>Unit : mm</p> <p>CARTON L390.9 x W284.8 x H175.7</p>	10	148g	600	10.88Kg

Installation Manual

Please refer to : <http://www.meanwell.com/manual.html>